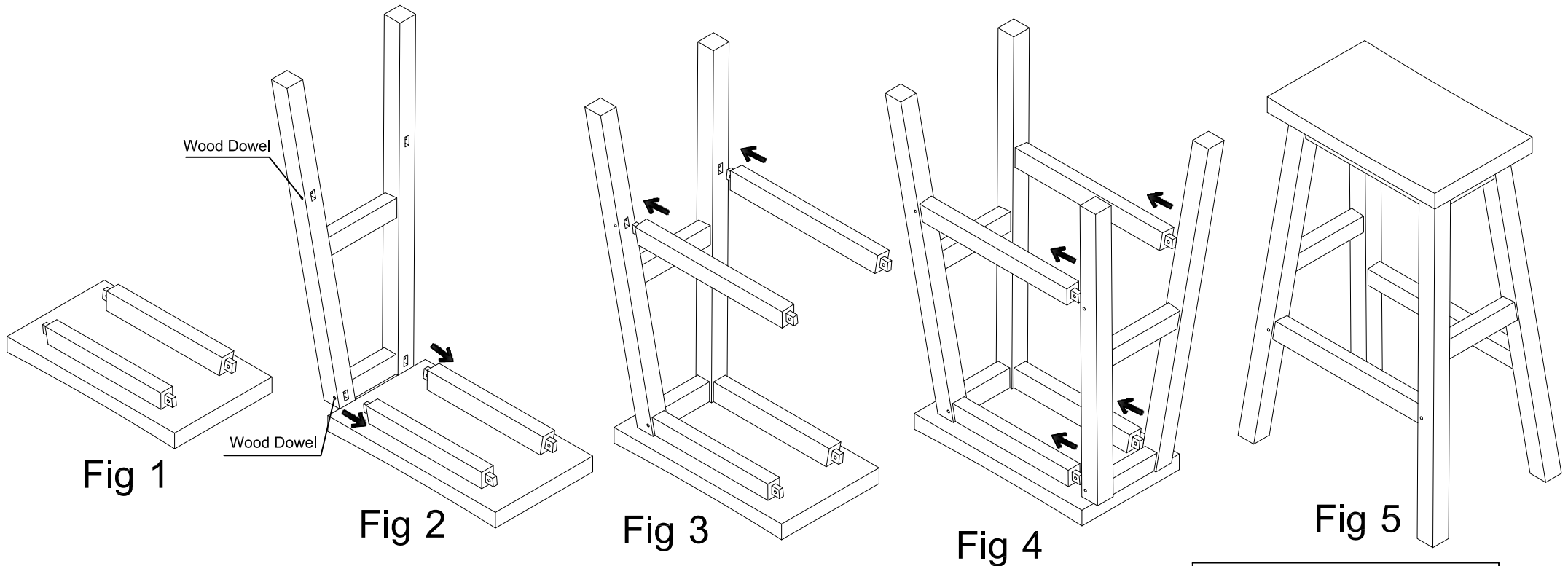


ASSEMBLY INSTRUCTION

CHC-1714 ALPINE RECTANGULAR COUNTER STOOL



Parts : 2 pcs Legs, 1 pc Top & 2 Pcs Supports

Hardware packs :
Wood dowels for Leg

Tools requirement :
Hammer (not supplied)

Assembling :

1. Prepare the top, (Fig. 1)
2. Put some glue into the apron of top mortise, insert the leg. Put some glue around the wood dowels and insert it into hole of leg. (Fig.2)
3. Put some glue into the support mortise, insert the leg. (Fig. 3)
4. Insert the other leg. Put some glue around the wood dowels and insert it into hole of leg (Fig. 4)
5. Finish Assembly (Fig. 5)
6. Clean the overflow glue using damp cloth while glue is still wet.